
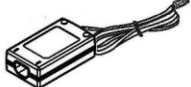


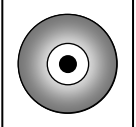

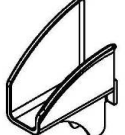

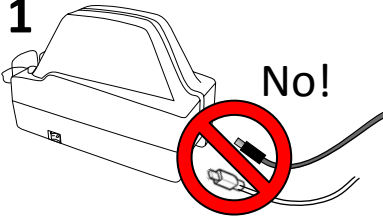
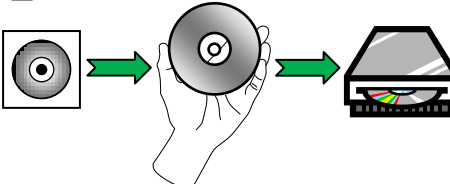
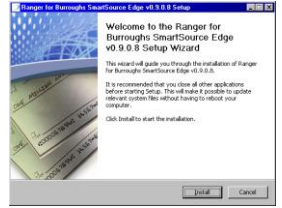
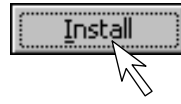


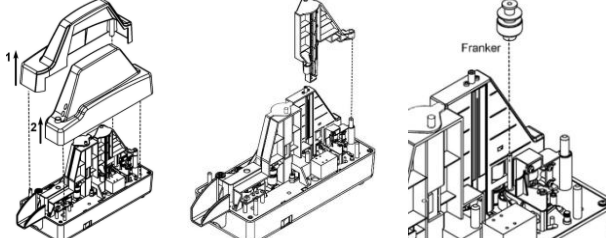
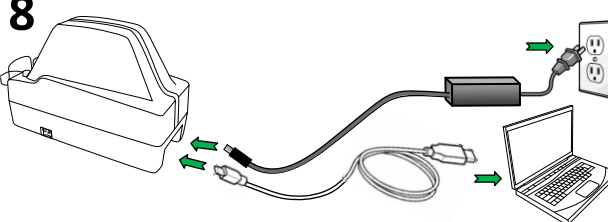
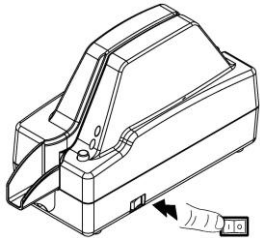

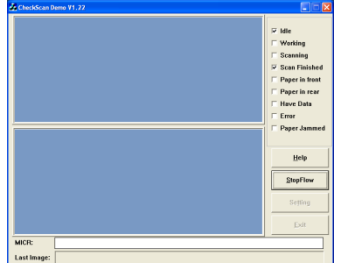
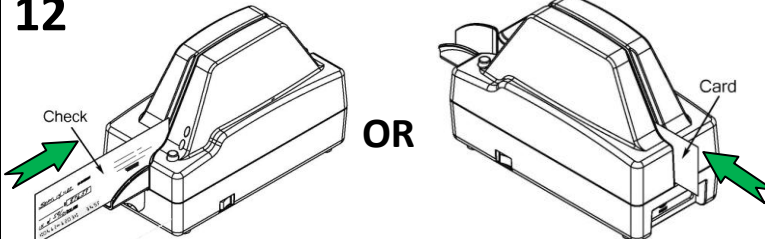



Read Me First!

Box Contents

Scanner 	Power Adapter 	Power Cable 	USB Cable 	Installation CD 	Franker 	Feed Extender 	Warranty Sheet 
--	--	--	---	--	--	--	---

Quick Installation Instructions

<p>1</p>  <p>No!</p>	<p>2*</p> 	<p>3</p>  <p>OR</p> <p>Run as admin: (CD Drive Letter):\Ranger_SSE.exe</p>	<p>4</p> 	<p>5</p> 
<p>6</p> 	<p>7</p> 	<p>8</p> 	<p>9</p> 	
<p>10</p>  <p>All Programs > SmartSource Edge > Utility > CheckScan.Exe</p>	<p>11</p> 	<p>12</p>  <p>OR</p>	<p>Operator Guide</p>  <p>All Programs > SmartSource Edge > Documentation > SSE_IOG.pdf</p>	

Need Help?

Burroughs Payment Systems
Help Desk
1-800-328-0440

82235409-000 Rev H

General Product Information

www.burroughs.com

Supplies and Replacements

1-800-448-1424 (USA)
1-800-387-6127 (Canada)
www.burroughsstore.com (Worldwide)

* Software On Disk:

CheckScan Utility
RANGER Flex Software
TWAIN Driver
SDK Tools